

FLOOR PLAN

1

FIRST FLOOR

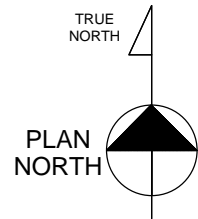
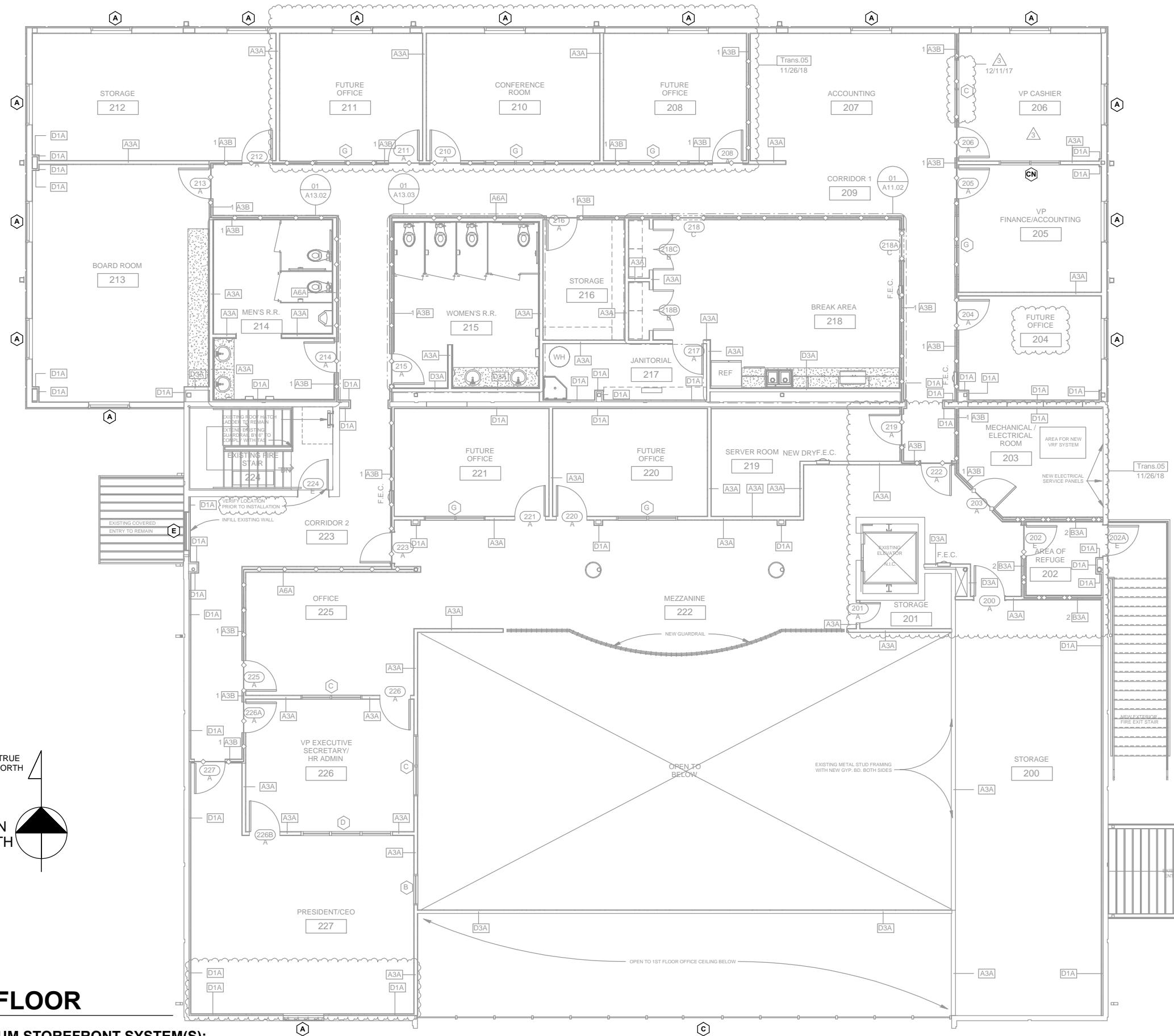
SCALE: 3/32" = 1'-0"
 ARCH REF: 01/A02.03
 QUANTITY: TYPE A - 03, TYPE B - 00,
 TYPE C - 01, TYPE D - 02,
 TYPE FN - 01, TYPE HN - 01

ALUMINUM STOREFRONT SYSTEM(S):
 VISTA WALL S-54 WINDOW SASH FRAMING SYSTEM
 KAWNEER VG 451 ALUMINUM STOREFRONT
 CRL D2307 DU GLASS SLIDER PASS THROUGH WINDOW
 ENTRANCE 500 WIDE STILE ON 451 FRAMING

NO.	DATE	BY	DESCRIPTION
1	04/17/19	fp	First Submittal

MITCHELL GLASS CO.
 405 W. CONSTITUTION VICTORIA, TX 77902
 W (361) 573-4837 F (361) 573-1797

PROJECT	KARNES COUNTY NATIONAL BANK
PROJECT NO.	MG-1903-02
DRAWN BY	fp
DATE	04/17/19
SCALE	NTS
DRAWING	FLOOR PLANS
SHEET	P1



FLOOR PLAN

1

2nd FLOOR

SCALE: 3/32" = 1'-0"
 ARCH REF: 01/A2.04
 QUANTITY: TYPE A - 15, TYPE C - 01,
 TYPE E - 01, TYPE GN - 01

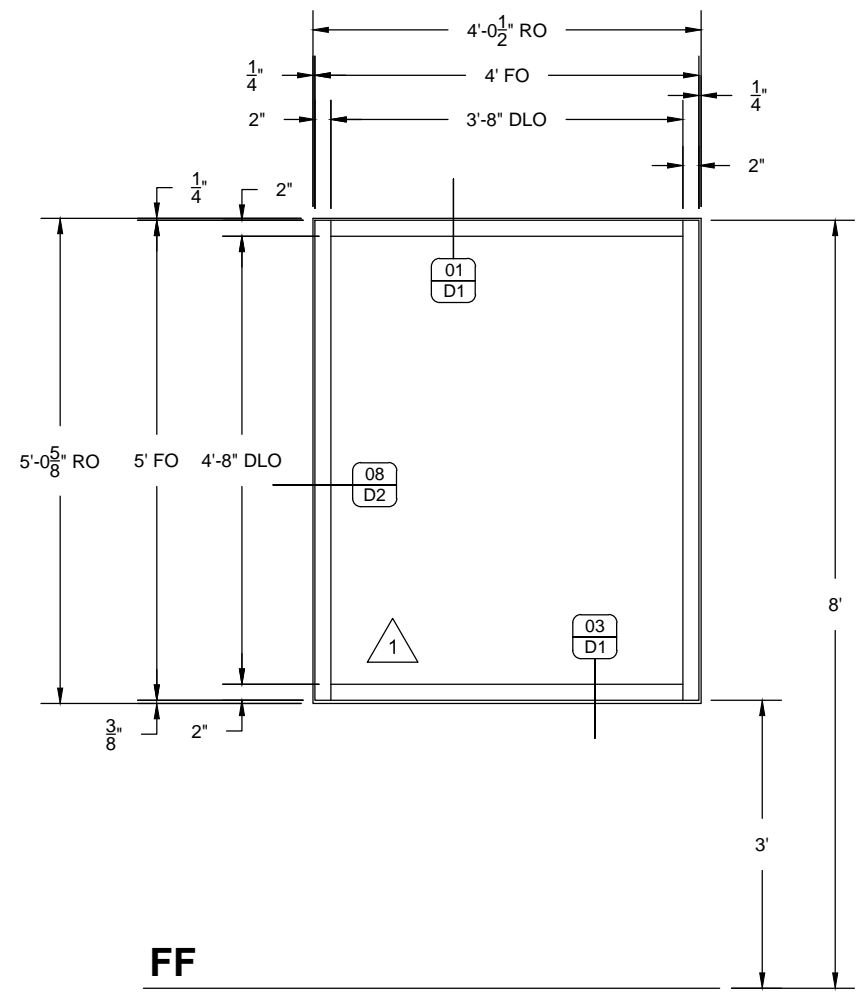
ALUMINUM STOREFRONT SYSTEM(S):
 VISTA WALL S-54 WINDOW SASH FRAMING SYSTEM
 KAWNEER VG 451 ALUMINUM STOREFRONT
 CRL D2307 DU GLASS SLIDER PASS THROUGH WINDOW
 ENTRANCE 500 WIDE STILE ON 451 FRAMING

NO.	DATE	BY	DESCRIPTION
1	04/17/19	fp	First Submittal

MITCHELL GLASS CO.
 405 W. CONSTITUTION VICTORIA, TX 77902
 W (361) 573-4337 F (361) 573-1797

PROJECT: KARNES COUNTY NATIONAL BANK
REMODEL/RENOVATION
 DESIGNER OF PROJECT: HALTNER H.A.I., LLC
 (713) 523-6100
 GENERAL CONTRACTOR: HALTNER H.A.I., LLC
 (713) 523-6100

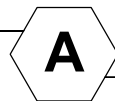
PROJECT NO.	MG-1903-02
DRAWN BY	fp
DATE	04/17/19
SCALE	NTS
DRAWING	FLOOR PLANS
SHEET	P2



FF

ELEVATION

QUANTITY: 18
 SCALE: 1/2" = 1'-0"
 ARCH REF: 01/A02.03
 01/A02.04
 A/06.04



A STOREFRONT WINDOWS

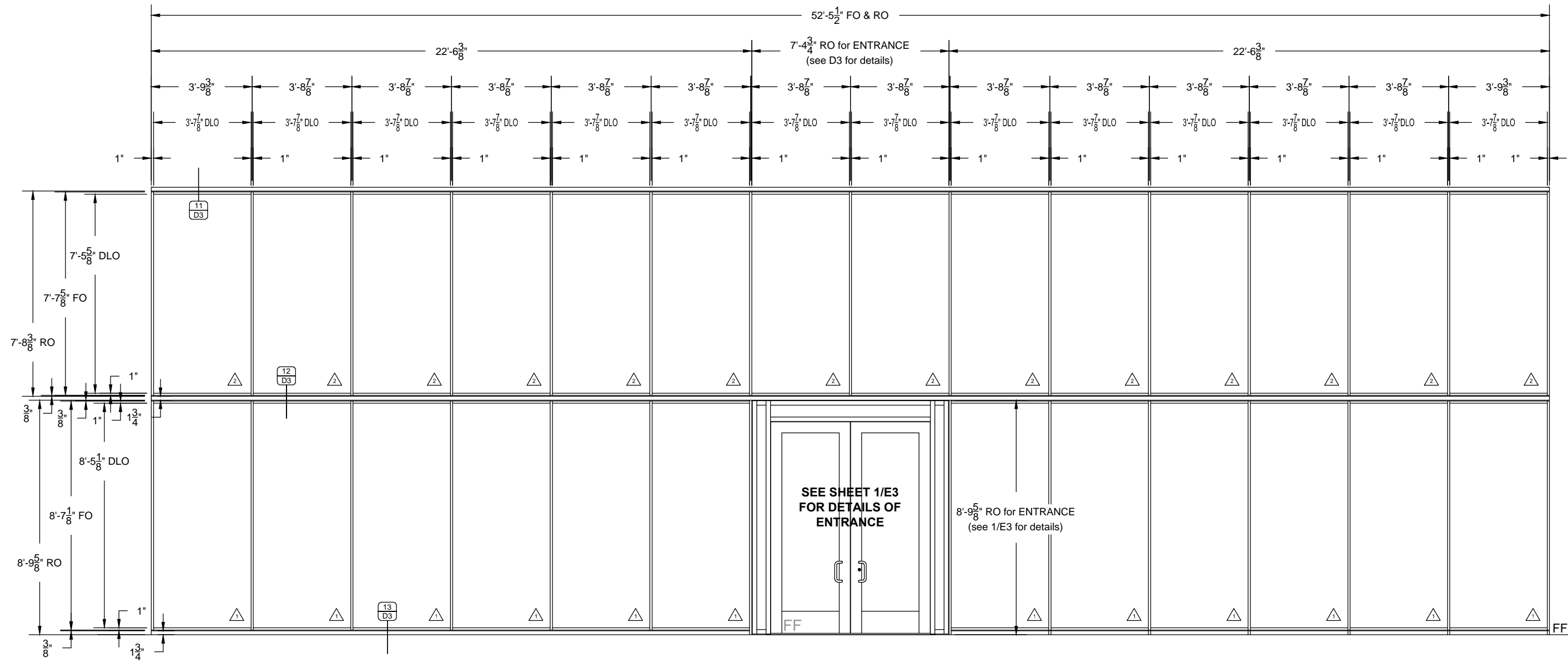
KAWNEER VG 451 STOREFRONT FRAMING SYSTEM

DATE	DESCRIPTION
04/17/19	First Submittal

MITCHELL GLASS CO.
 405 W. CONSTITUTION VICTORIA, TX 77902
 W (361) 573-4337 F (361) 573-1797

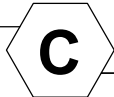
PROJECT: KARNES COUNTY NATIONAL BANK
REMODEL/RENOVATION
 DESIGNER OF PROJECT: HALTNER H.A.I., LLC
 (713) 523-6100
 GENERAL CONTRACTOR: HALTNER H.A.I., LLC
 (713) 523-6100

PROJECT NO.	MG-1903-02
DRAWN BY	fp
DATE	04/17/19
SCALE	1/2" = 1'-0"
DRAWING	ELEVATIONS
SHEET	E1



ELEVATION

QUANTITY: 1
 SCALE: 1/4" = 1'-0"
 ARCH REF: 01/A02.03
 DS/A06.01
 08/A06.02
 08/A06.03
 1/A06.04
 DOOR NUMBER(S): 100
 (SEE DETAIL SHEET D3)



STOREFRONT WINDOW

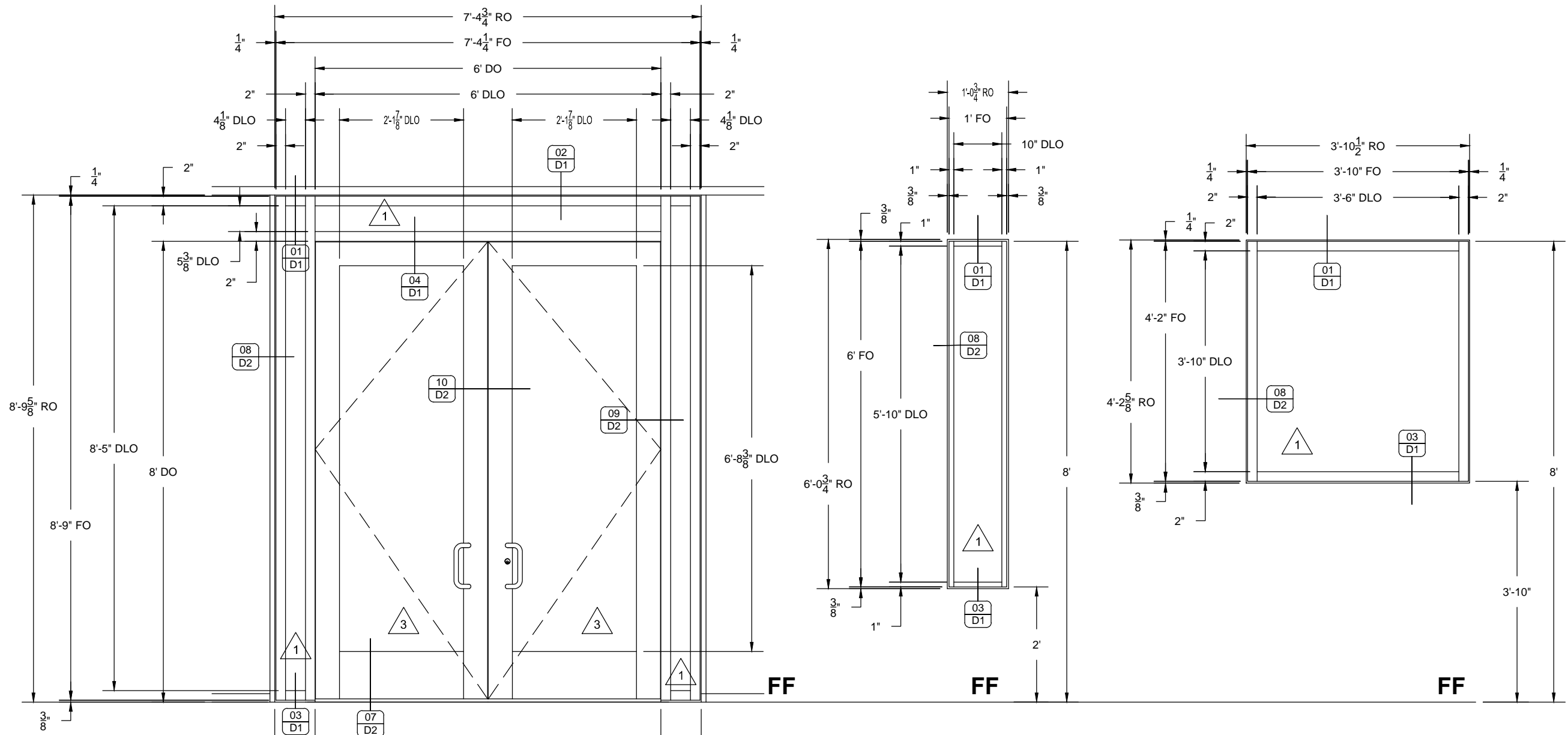
VISTA WALL SASH S-54 FRAMING SYSTEM
 (FOR ENTRANCE DETAIL, SEE DETAIL 1, SHEET E3)

NO.	DATE	DESCRIPTION
1	04/17/19	First Submittal

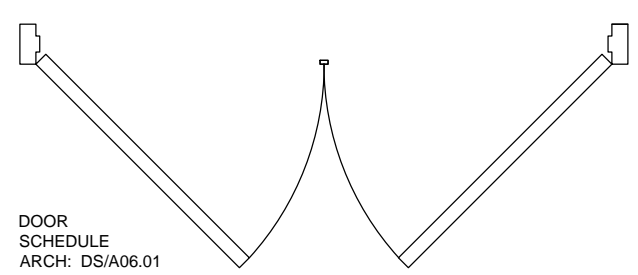
MITCHELL GLASS CO.
 405 W. CONSTITUTION VICTORIA, TX 77902
 W (361) 573-4337 F (361) 573-1797

PROJECT: KARNES COUNTY NATIONAL BANK
REMODEL/RENOVATION
 DESIGNER OF PROJECT: HALTNER H.A.I., LLC
 (713) 523-6100
 GENERAL CONTRACTOR: HALTNER H.A.I., LLC
 (713) 523-6100

PROJECT NO.	MG-1903-02
DRAWN BY	fp
DATE	04/17/19
SCALE	1/4" = 1'-0"
DRAWING	ELEVATIONS
SHEET	E2



HARDWARE:
 STANDARD THRESHOLD
 STANDARD PUSH/PULLS
 3 BUTT HINGES/DOOR



DOOR SCHEDULE
 ARCH: DS/A06.01

ELEVATION 1 ENTRANCE
 KAWNEER 500 WIDE STILE ENTRANCE ON VG 451 FRAMING
 QUANTITY: 01
 SCALE: 1/2" = 1'-0"
 ARCH REF: 01/A02.01
 08/A6.02
 1/A06.04
 DOOR NUMBER: 100

ELEVATION E STOREFRONT WINDOW
 KAWNEER VG 451 STOREFRONT FRAMING SYSTEM
 QUANTITY: 01
 SCALE: 1/2" = 1'-0"
 ARCH REF: 01/A02.04

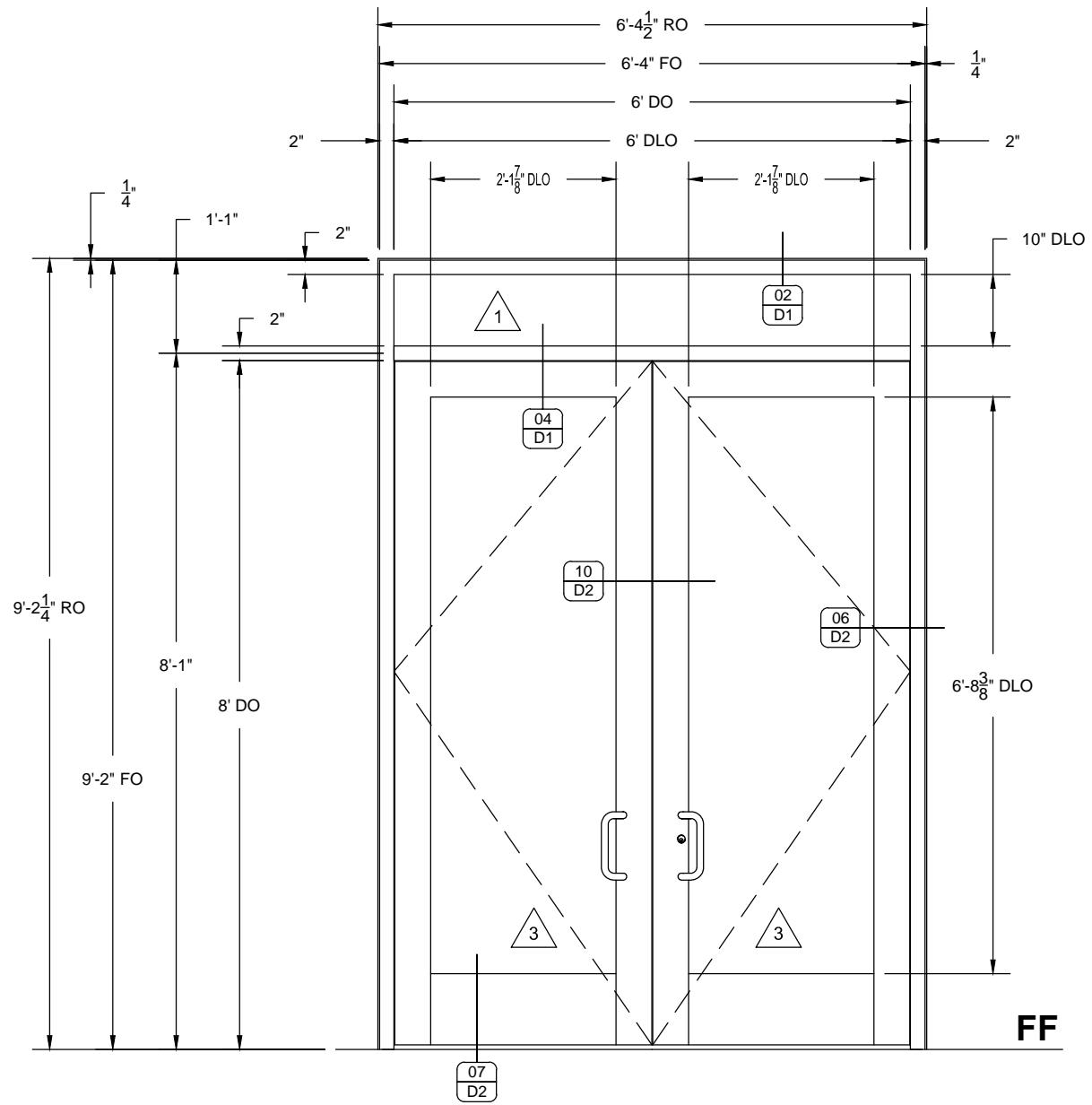
ELEVATION D STOREFRONT WINDOWS
 VISTA WALL SASH S-54 FRAMING SYSTEM
 QUANTITY: 02
 SCALE: 1/2" = 1'-0"
 ARCH REF: 01/A02.03
 08/A06.03

NO.	DATE	DESCRIPTION
1	04/17/19	First Submittal

MITCHELL GLASS CO.
 405 W. CONSTITUTION VICTORIA, TX 77902
 W (361) 573-4337 F (361) 573-1797

PROJECT: KARNES COUNTY NATIONAL BANK
REMODEL/RENOVATION
 DESIGNER OF PROJECT: HALTNER H.A.I., LLC
 (713) 523-6100
 GENERAL CONTRACTOR: HALTNER H.A.I., LLC
 (713) 523-6100

PROJECT NO.	MG-1903-02
DRAWN BY	fp
DATE	04/17/19
SCALE	1/2" = 1'-0"
DRAWING	ELEVATIONS
SHEET	E3



DOOR NUMBER(S)
100A 107

HARDWARE:

STANDARD THRESHOLD
 STANDARD PUSH/PULLS
 3 BUTT HINGES/DOOR

DOOR SCHEDULE
 ARCH: DS/A06.01

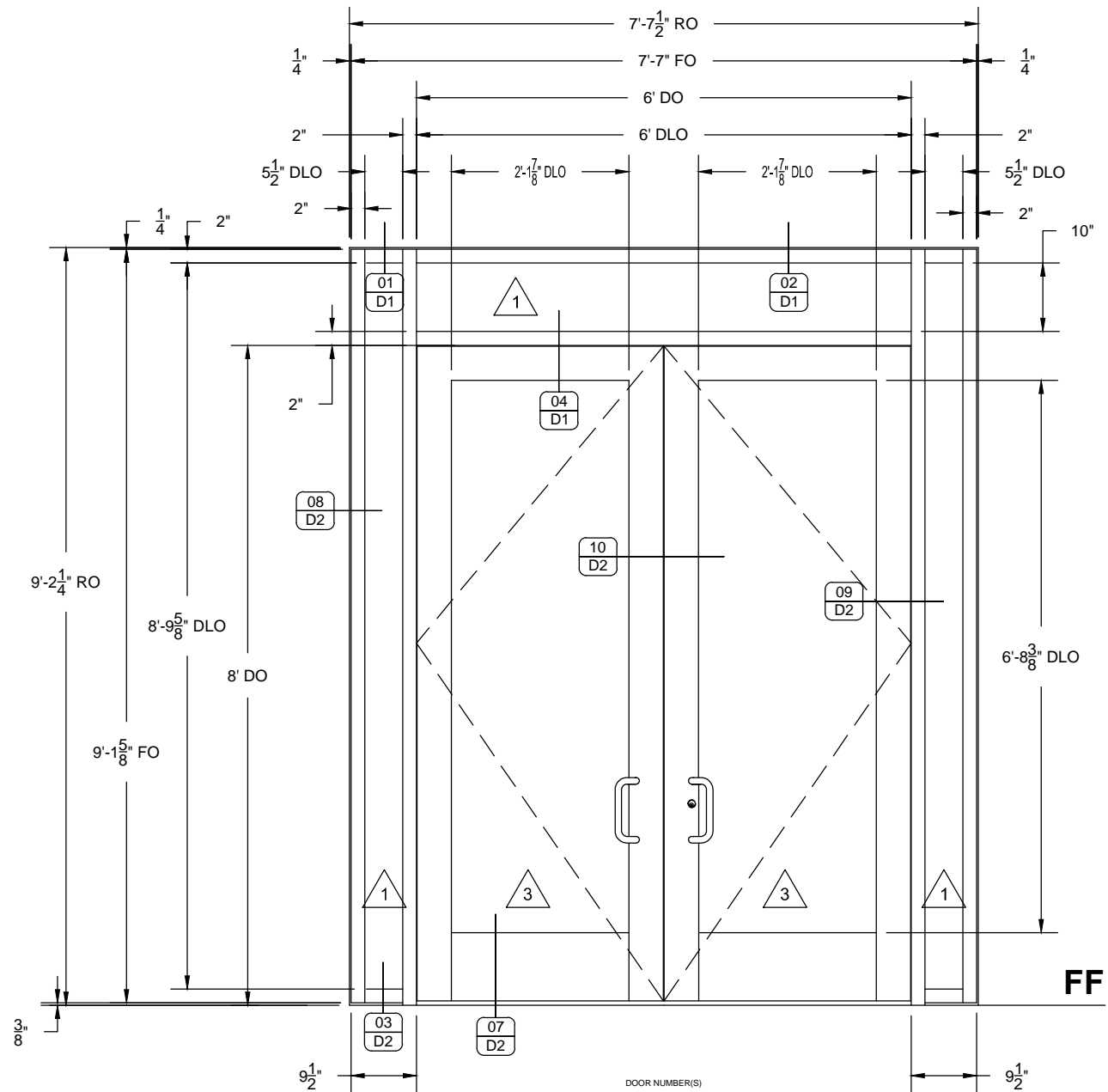
ELEVATION

QUANTITY: 02
 SCALE: 1/2" = 1'-0"
 ARCH REF: 01/A02.01
 01/A02.03
 08/A6.02
 DOOR NUMBER(S): 100A & 107

2

ENTRANCES

KAWNEER 500 WIDE STILE ENTRANCE ON VG 451 FRAMING



DOOR NUMBER(S)
107A

HARDWARE:

STANDARD THRESHOLD
 STANDARD PUSH/PULLS
 3 BUTT HINGES/DOOR

DOOR SCHEDULE
 ARCH: DS/A06.01

ELEVATION

QUANTITY: 01
 SCALE: 1/2" = 1'-0"
 ARCH REF: 01/A02.01
 01/A02.03
 08/A6.02
 DOOR NUMBER(S): 107A

3

ENTRANCE

KAWNEER 500 WIDE STILE ENTRANCE ON VG 451 FRAMING

NO.	DATE	DESCRIPTION
1	04/17/19	First Submittal

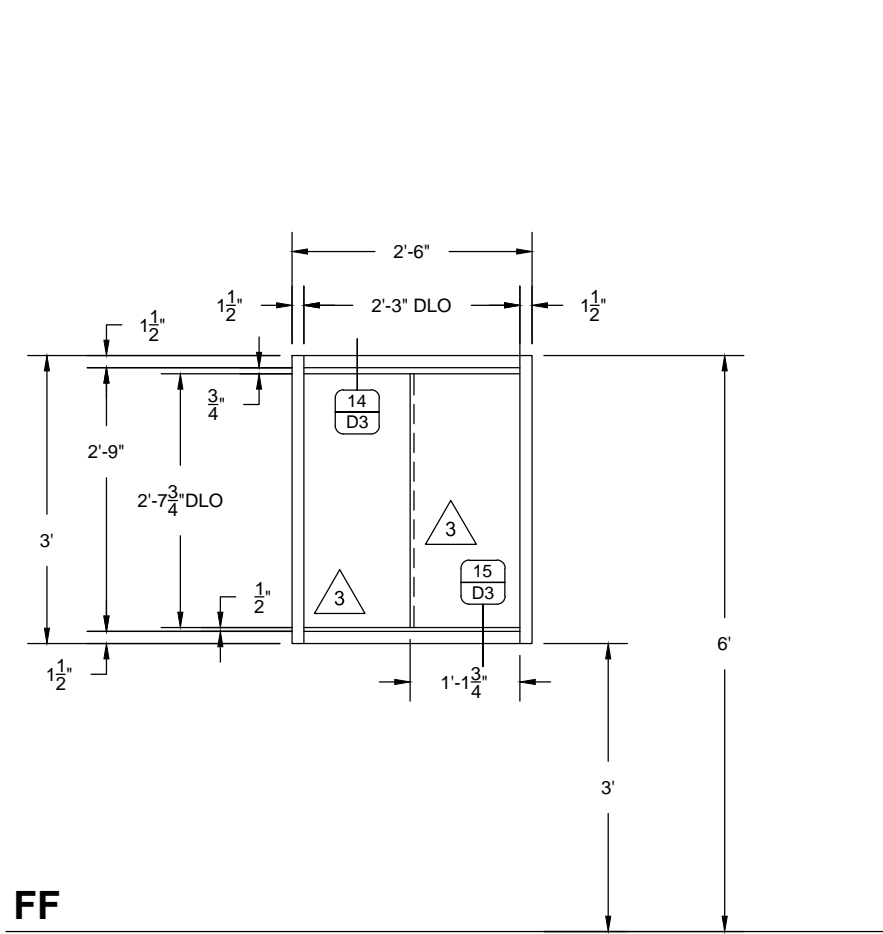
MITCHELL GLASS CO.
 405 W. CONSTITUTION VICTORIA, TX 77902
 W (361) 573-4337 F (361) 573-1797

PROJECT: KARNES COUNTY NATIONAL BANK
REMODEL/RENOVATION
 DESIGNER OF PROJECT: HALTNER H.A.I., LLC
 (713) 523-6100
 GENERAL CONTRACTOR: HALTNER H.A.I., LLC
 (713) 523-6100

PROJECT NO. **MG-1903-02**
 DRAWN BY: **fp** DATE: **04/17/19**

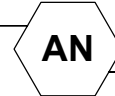
SCALE: 1/2" = 1'-0"
 DRAWING: **ELEVATIONS**

SHEET: **E4**



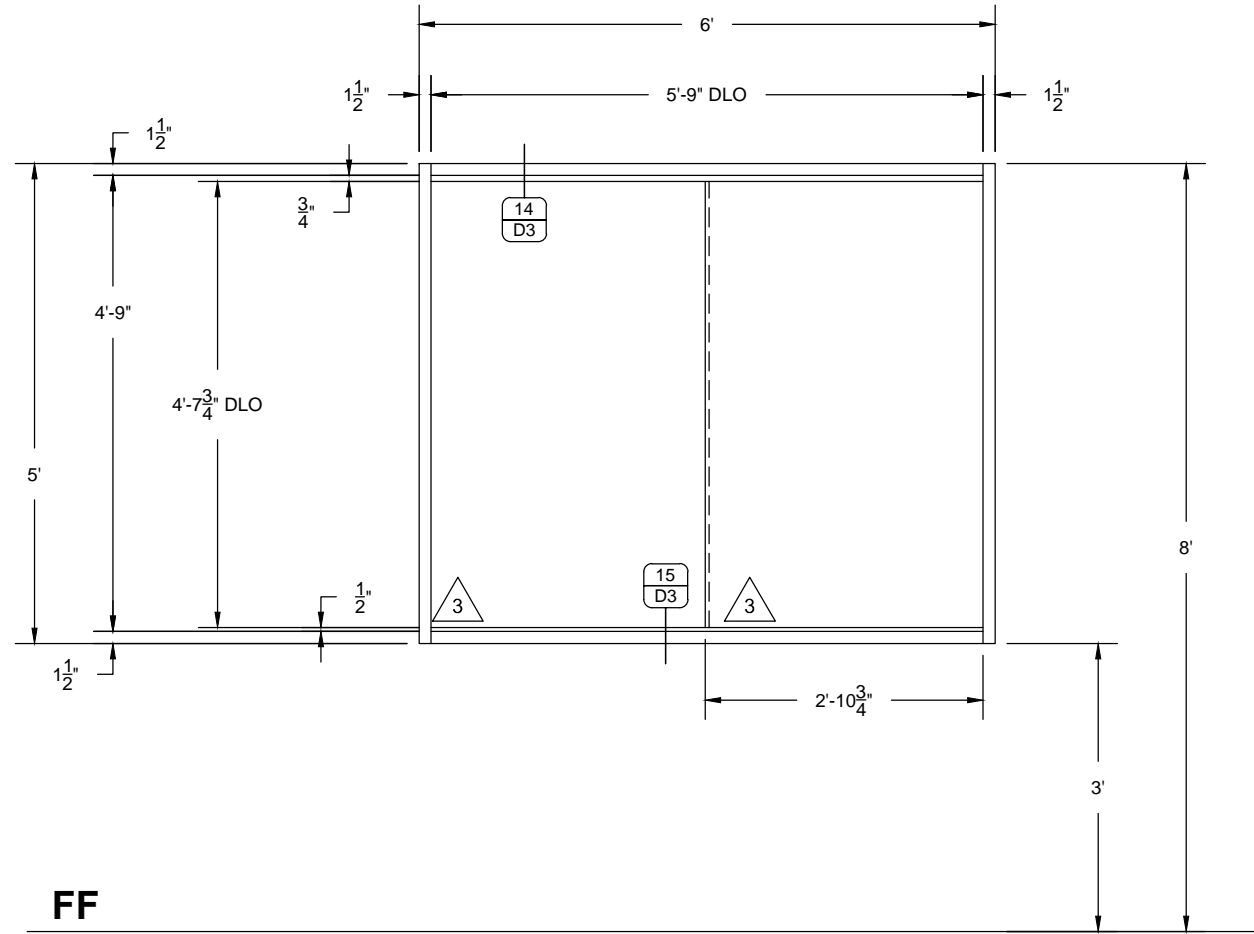
ELEVATION

QUANTITY: 01
 SCALE: 1/2" = 1'-0"
 ARCH REF: 01/A02.01
 01/A02.03
 06/A06.03



PASS THROUGH

WINDOW FRAME BY OTHERS
 C R LAURENCE D2307-DU GLASS SLIDER



ELEVATION

QUANTITY: 01
 SCALE: 1/2" = 1'-0"
 ARCH REF: 01/A02.02
 01/A02.04
 06/A06.03



PASS THROUGH

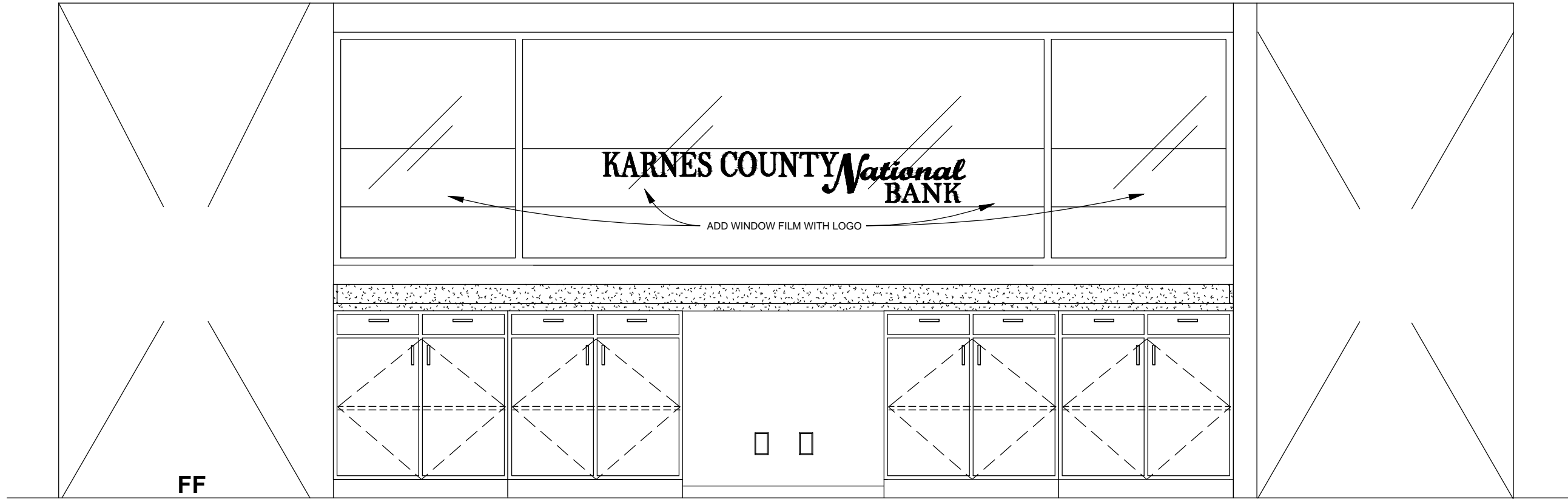
WINDOW FRAME BY OTHERS
 C R LAURENCE D2307-DU GLASS SLIDER

NO.	DATE	BY	DESCRIPTION
1	04/17/19	fp	First Submittal

MITCHELL GLASS CO.
 405 W. CONSTITUTION VICTORIA, TX 77902
 W (361) 573-4337 F (361) 573-1797

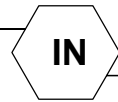
PROJECT: KARNES COUNTY NATIONAL BANK
REMODEL/RENOVATION
 DESIGNER OF PROJECT: HALTNER H.A.I., LLC
 (713) 523-6100
 GENERAL CONTRACTOR: HALTNER H.A.I., LLC
 (713) 523-6100

PROJECT NO.	MG-1903-02
DRAWN BY	fp
DATE	04/17/19
SCALE	1/2" = 1'-0"
DRAWING	ELEVATIONS
SHEET	E5



ELEVATION

QUANTITY: 01
 SCALE: 1/2" = 1'-0"
 ARCH REF: 01/A02.01
 01/A02.03
 06/A06.03



LOBBY TELLER LOGO

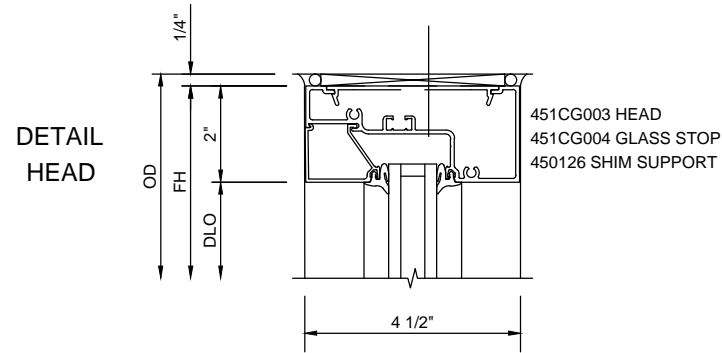
WINDOW AND WINDOW FRAME BY OTHERS
 INCLUDES FROSTED WINDOW FILM WITH BUILDING'S LOGO

NO.	DATE	BY	DESCRIPTION
1	04/17/19	fp	First Submittal

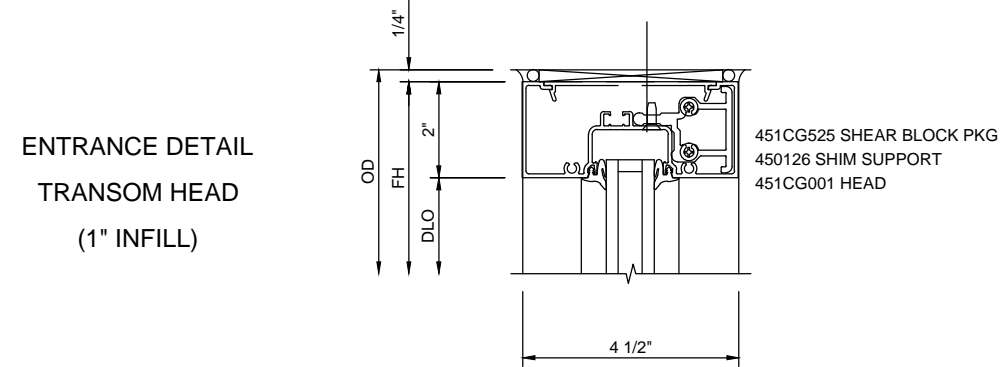
MITCHELL GLASS CO.
 405 W. CONSTITUTION VICTORIA, TX 77902
 W (361) 573-4337 F (361) 573-1797

PROJECT: KARNES COUNTY NATIONAL BANK
REMODEL/RENOVATION
 DESIGNER OF PROJECT: HALTNER H.A.I., LLC
 (713) 523-6100
 GENERAL CONTRACTOR: HALTNER H.A.I., LLC
 (713) 523-6100

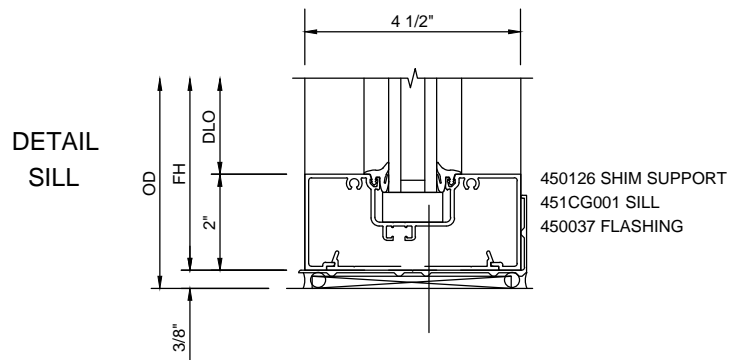
PROJECT NO.	MG-1903-02
DRAWN BY	fp
DATE	04/17/19
SCALE	1/2" = 1'-0"
DRAWING	ELEVATIONS
SHEET	E6



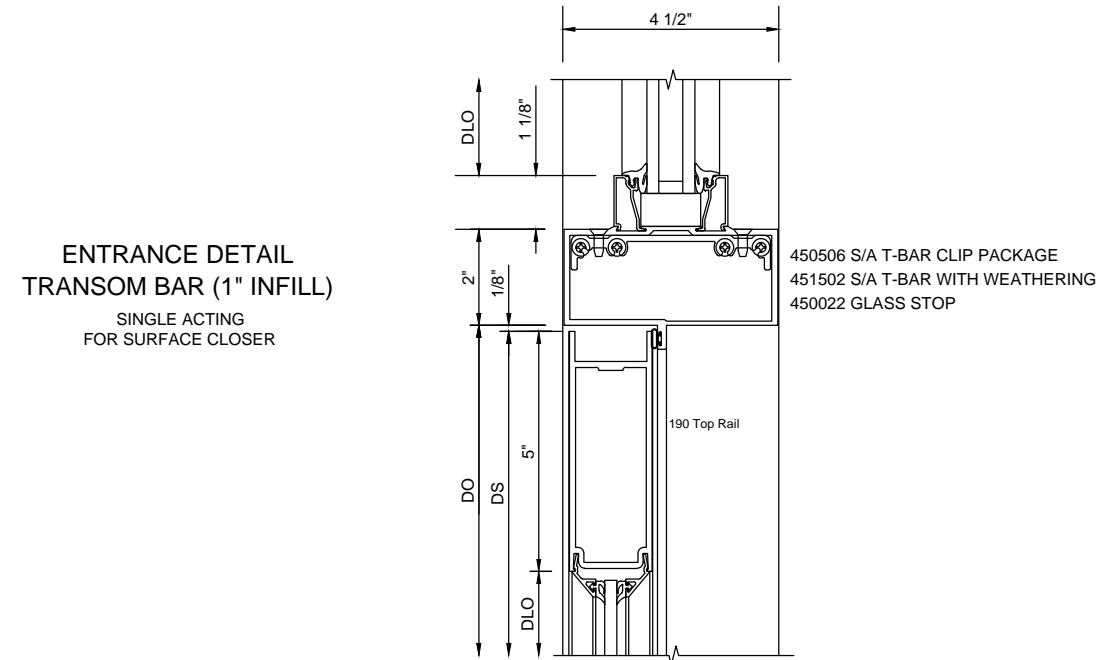
DETAIL 01 STANDARD HEAD
 SCALE: 3" = 1'-0"
 ARCH REF: 09/A06.03
 GLASS WALL SYSTEM TYPE:
 KAWNEER VG 451 NON-THERMAL ALUMINUM STOREFRONT



DETAIL 02 TRANSOM HEAD
 SCALE: 3" = 1'-0"
 ARCH REF: 09/A06.03
 GLASS WALL SYSTEM TYPE:
 KAWNEER VG 451 NON-THERMAL ALUMINUM STOREFRONT



DETAIL 03 STANDARD SILL
 SCALE: 3" = 1'-0"
 ARCH REF: 06/A06.03
 09/A06.03
 GLASS WALL SYSTEM TYPE:
 KAWNEER VG 451 NON-THERMAL ALUMINUM STOREFRONT



DETAIL 04 DOOR HEADER
 SCALE: 3" = 1'-0"
 ARCH REF: N/A
 GLASS WALL SYSTEM TYPES:
 KAWNEER VG 451 NON-THERMAL ALUMINUM STOREFRONT
 KAWNEER 500 WIDE STILE ENTRANCE

NO.	DATE	BY	DESCRIPTION
1	04/17/19	fp	First Submittal

MITCHELL GLASS CO.
 405 W. CONSTITUTION VICTORIA, TX 77902
 W (361) 573-4337 F (361) 573-1797

PROJECT: KARNES COUNTY NATIONAL BANK
REMODEL/RENOVATION
 DESIGNER OF PROJECT: HALTNER H.A.I., LLC
 (713) 523-6100
 GENERAL CONTRACTOR: HALTNER H.A.I., LLC
 (713) 523-6100

PROJECT NO.	MG-1903-02
DRAWN BY	fp
DATE	04/17/19
SCALE	3" = 1'-0"
DRAWING	DETAILS
SHEET	D1